

Архангельск (8182)63-90-72  
Астана (7172)727-132  
Астрахань (8512)99-46-04  
Барнаул (3852)73-04-60  
Белгород (4722)40-23-64  
Брянск (4832)59-03-52  
Владивосток (423)249-28-31  
Волгоград (844)278-03-48  
Вологда (8172)26-41-59  
Воронеж (473)204-51-73  
Екатеринбург (343)384-55-89  
Иваново (4932)77-34-06

Ижевск (3412)26-03-58  
Иркутск (395)279-98-46  
Казань (843)206-01-48  
Калининград (4012)72-03-81  
Калуга (4842)92-23-67  
Кемерово (3842)65-04-62  
Киров (8332)68-02-04  
Краснодар (861)203-40-90  
Красноярск (391)204-63-61  
Курск (4712)77-13-04  
Липецк (4742)52-20-81  
Киргизия (996)312-96-26-47

Магнитогорск (3519)55-03-13  
Москва (495)268-04-70  
Иркутск (395)279-98-46  
Мурманск (8152)59-64-93  
Набережные Челны (8552)20-53-41  
Нижний Новгород (831)429-08-12  
Новокузнецк (3843)20-46-81  
Новосибирск (383)227-86-73  
Омск (3812)21-46-40  
Орел (4862)44-53-42  
Оренбург (3532)37-68-04  
Пенза (8412)22-31-16  
Казахстан (772)734-952-31

Пермь (342)205-81-47  
Ростов-на-Дону (863)308-18-15  
Рязань (4912)46-61-64  
Самара (846)206-03-16  
Санкт-Петербург (812)309-46-40  
Саратов (845)249-38-78  
Севастополь (8692)22-31-93  
Симферополь (3652)67-13-56  
Смоленск (4812)29-41-54  
Сочи (862)225-72-31  
Ставрополь (8652)20-65-13  
Таджикистан (992)427-82-92-69

Сургут (3462)77-98-35  
Тверь (4822)63-31-35  
Томск (3822)98-41-53  
Тула (4872)74-02-29  
Тюмень (3452)66-21-18  
Ульяновск (8422)24-23-59  
Уфа (347)229-48-12  
Хабаровск (4212)92-98-04  
Челябинск (351)202-03-61  
Череповец (8202)49-02-64  
Ярославль (4852)69-52-93

<https://tsi.nt-rt.ru> || [tfs@nt-rt.ru](mailto:tfs@nt-rt.ru)

# NGI & NGI+

## THE GOLD STANDARD FOR INHALATION PHARMACEUTICAL APSD CHARACTERIZATION



The Next Generation Impactor (NGI) is and has been the industry standard pharmaceutical cascade impactor for the last 20 years, with 1800+ units in use and adopted into the USP guidelines. It was designed and developed by and for the OINDP Industry, and is the most efficient and precise cascade impactor to conduct standard in vitro APSD testing with the widest capabilities.

The NGI+ uses the same design, but substitutes more durable materials which enable a wider range of applications, chemicals, and drugs.

### NGI Features & Benefits

- + Designed by the OINDP market for the OINDP market
- + Written into the USP guidance
- + 8-stage collection (7 stage + MOC)
- + Precise cut points
- + Planar arrangement with cover, cup tray and quick clamp cam
- + Suite of accessories to make testing even more efficient
- + Suite of accessories for additional testing (gravimetric, deep cup, exhaust cup, glass disc cup, rNGI)

### NGI+ Additional Features & Benefits

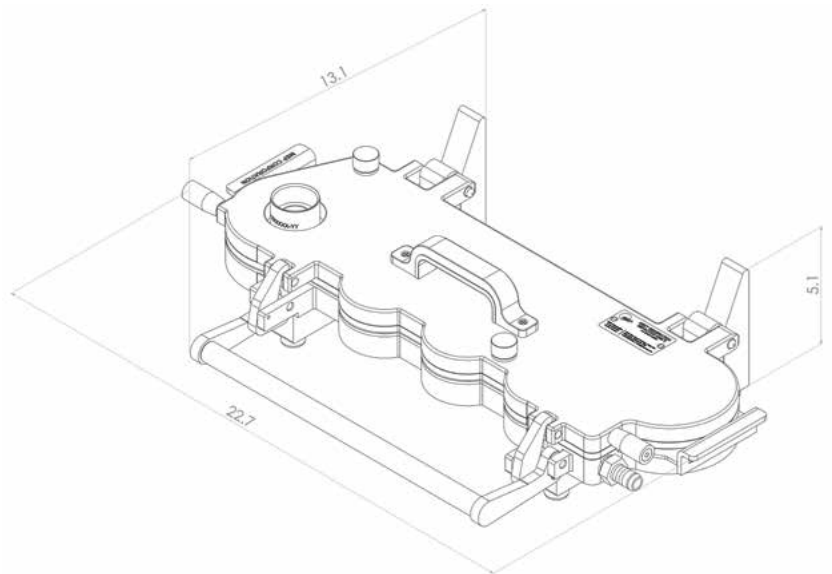
- + Enhanced corrosion and chemical resistance
- + Extended equipment life
- + Allows for a more robust and/or automated cleaning process for cups, nozzles, and seal body
- + Comprised of inert materials to maintain aerosol performance
- + Upgrade available for your existing NGI

# SPECIFICATIONS

## NGI & NGI+

	NGI	NGI+
<b>Product Specs</b>		
Weight (lb) [kg]	20.2 [9.2]	23.5 [10.7]
Dimensions, (W x D x H) (in) [mm]	13.1 x 22.7 x 5.1 [332.7 x 576.6 x 129.5]	
Seal body dims, (W x D x H) (in) [mm]	6.5 x 20.5 x 2.5 [165 x 520 x 65]	
<b>Shipping</b>		
Weight (lb) [kg]	27 [12.2]	30.3 [13.7]
Dimensions, (W x D x H) (in) [mm]	16 x 27 x 11 [405 x 685 x 280]	
<b>Design</b>		
# of Stages	7 plus MOC (not included: external filter, induction port, preseparator)	
Internal volume (mL)	1160	
Calibrated flow rate	15L/min - 100 L/min	
<b>Material</b>		
Lid	Nickel Plated Aluminum	
Seal body	Nickel Plated Aluminum	Stainless Steel
Nozzles	Stainless Steel	
Cups	Stainless Steel (2 large, 6 small)	
Bottom Frame	Aluminum	

APSD Stage Cutoff Diameter by Flow Rate				
Flow rate (L/min)	15	30	60	100
S1	14.10	11.72	8.06	6.12
S2	8.61	6.40	4.46	3.42
S3	5.39	3.99	2.82	2.18
S4	3.30	2.30	1.66	1.31
S5	2.08	1.36	0.94	0.72
S6	1.36	0.83	0.55	0.40
S7	0.98	0.54	0.34	0.24



Архангельск (8182)63-90-72  
Астана (7172)727-132  
Астрахань (8512)99-46-04  
Барнаул (3852)73-04-60  
Белгород (4722)40-23-64  
Брянск (4832)59-03-52  
Владивосток (423)249-28-31  
Волгоград (844)278-03-48  
Вологда (8172)26-41-59  
Воронеж (473)204-51-73  
Екатеринбург (343)384-55-89  
Иваново (4932)77-34-06

Ижевск (3412)26-03-58  
Иркутск (395)279-98-46  
Казань (843)206-01-48  
Калининград (4012)72-03-81  
Калуга (4842)92-23-67  
Кемерово (3842)65-04-62  
Киров (8332)68-02-04  
Краснодар (861)203-40-90  
Красноярск (391)204-63-61  
Курск (4712)77-13-04  
Липецк (4742)52-20-81  
Киргизия (996)312-96-26-47

Магнитогорск (3519)55-03-13  
Москва (495)268-04-70  
Мурманск (8152)59-64-93  
Набережные Челны (8552)20-53-41  
Нижний Новгород (831)429-08-12  
Новокузнецк (3843)20-46-81  
Новосибирск (383)227-86-73  
Омск (3812)21-46-40  
Орел (4862)44-53-42  
Оренбург (3532)37-68-04  
Пенза (8412)22-31-16  
Казахстан (772)734-952-31

Пермь (342)205-81-47  
Ростов-на-Дону (863)308-18-15  
Рязань (4912)46-61-64  
Самара (846)206-03-16  
Санкт-Петербург (812)309-46-40  
Саратов (845)249-38-78  
Севастополь (8692)22-31-93  
Симферополь (3652)67-13-56  
Смоленск (4812)29-41-54  
Сочи (862)225-72-31  
Ставрополь (8652)20-65-13  
Таджикистан (992)427-82-92-69

Сургут (3462)77-98-35  
Тверь (4822)63-31-35  
Томск (3822)98-41-53  
Тула (4872)74-02-29  
Тюмень (3452)66-21-18  
Ульяновск (8422)24-23-59  
Уфа (347)229-48-12  
Хабаровск (4212)92-98-04  
Челябинск (351)202-03-61  
Череповец (8202)49-02-64  
Ярославль (4852)69-52-93